

A close-up photograph of a door closer mechanism, showing a grey metal arm and a vertical rod with a threaded section. The background is a light grey gradient.

TS 68

—

Door Closer

THE IDEAL LOW-COST SOLUTION FOR STANDARD DOORS

With the TS 68, DORMA has developed a low-cost door closer which can be universally used on all common door types. It is particularly quick and easy to install – and does not require a mounting backplate.

The closer arm's power shoe and changes in templating allow easy selection of the closing force to suit various door sizes.

Certified to ISO 9001

Plus points

For the trade

- The low cost solution for standard doors.
- Just one model for all mounting positions.

For the installer

- Non-handed unit.
- Quick and easy to install.
- Fixes perfectly to all door types without the need for a mounting backplate.

For the architect/specifier

- Compact design.
- Inexpensive, proven reliability.

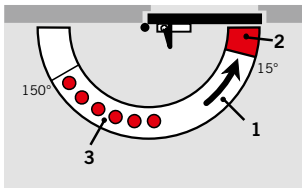
For the user

- Closing cycle largely unaffected by temperature changes.
- Two valves for optimum closing speed and reliable latching action.

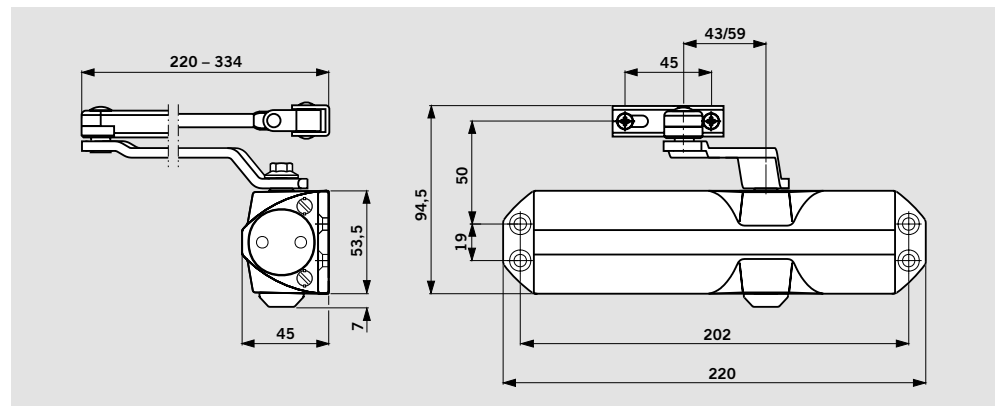
Technical Data		TS 68
Selectable closing force (variable via arm power shoe and templating)		EN 2/3/4
Door width	≤ 1100 mm	●
External doors, outward opening		–
Non-handed		●
Arm	Standard arm	●
	Slide channel	–
Closing speed adjustable via 2 independent valves	180° – 15°	●
	15° – 0°	●
Backcheck		–
Delayed action		–
Hold-open		○
Weight in kg		1.4
Dimensions in mm	Length	220.0
	Overall depth	45.0
	Height	53.5

● Yes – No ○ Option

Standard and optional functions



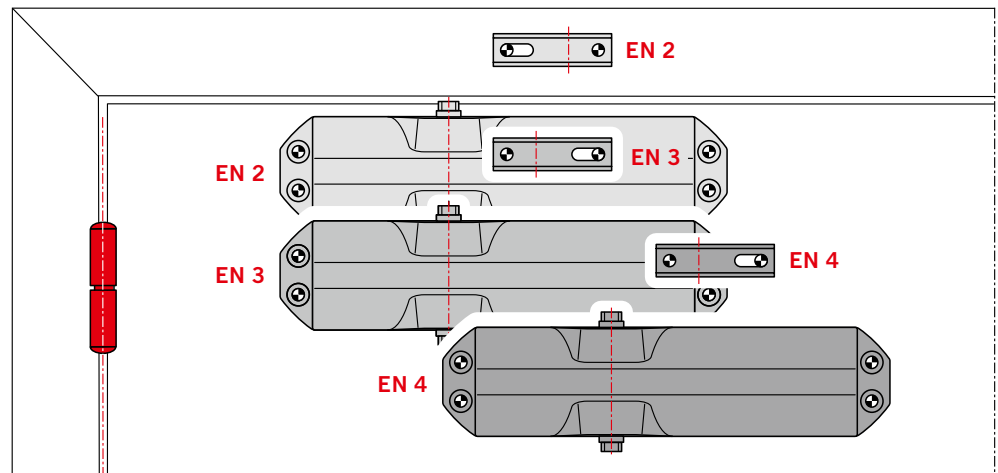
- 1 Adjustable closing speed in the range 180° – 15°.
- 2 Adjustable closing speed in the range 15° – 0°.
- 3 Hold-open range with hold-open arm model (optional extra).



Closing force settings

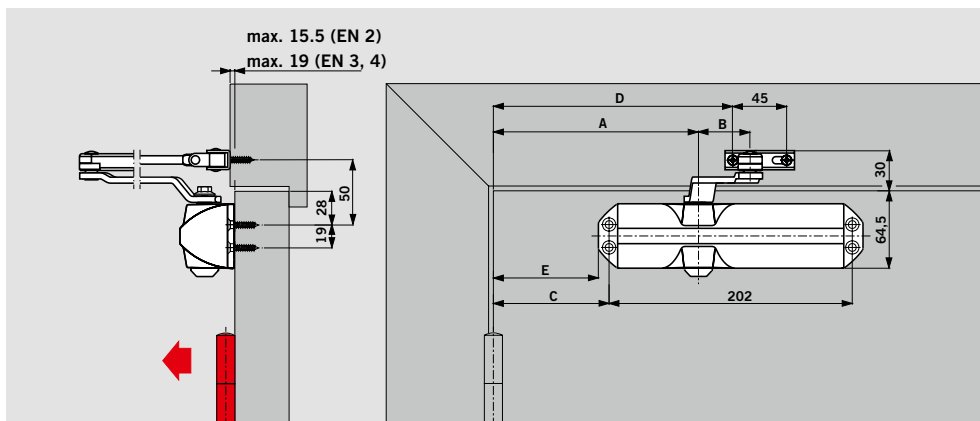
Door width	Size setting
≤ 850	EN 2
≤ 950	EN 3
≤ 1100	EN 4

The TS 68's size setting is selected for the door width by moving the closer body and/or turning the arm power shoe.



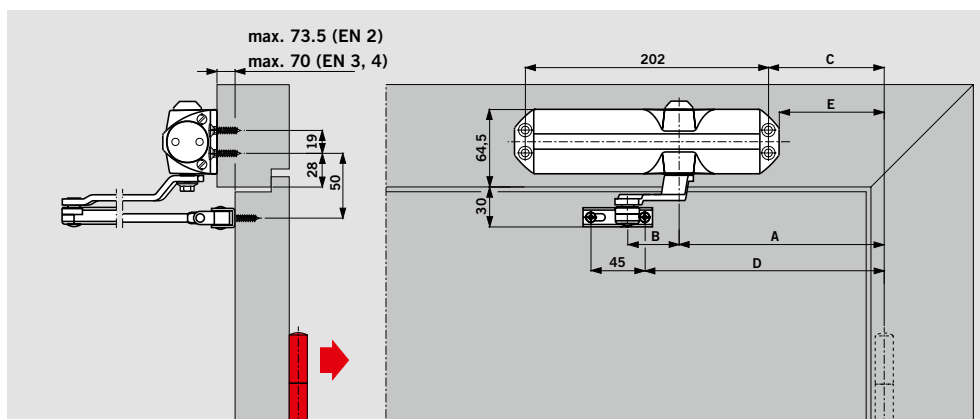
DOOR-LEAF FIXING, PULL SIDE

	EN 2	EN 3	EN 4
A	170.0	170.0	250.0
B	59.0	43.0	43.0
C	96.0	96.0	176.0
D	198.5	198.5	278.5
E	87.0	87.0	167.0



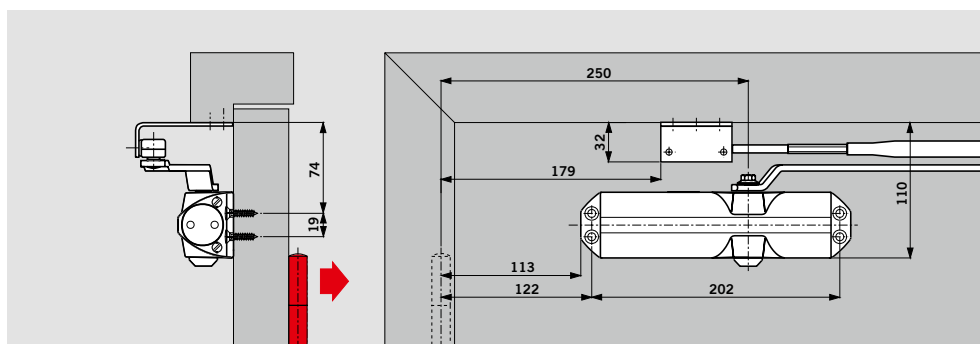
FRAME FIXING, PUSH SIDE

	EN 2	EN 3	EN 4
A	170.0	170.0	250.0
B	59.0	43.0	43.0
C	96.0	96.0	176.0
D	198.5	198.5	278.5
E	87.0	87.0	167.0



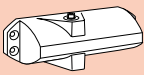
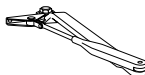
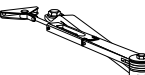

PARALLEL ARM FIXING, PUSH SIDE

EN 2
(door width max. 850 mm)



Standard equipment and accessories

xx	Colour
01	silver
02	brass
03	dark brown
11	white (RAL 9016)

Door closer TS 68	Standard arm	Hold-open arm	Parallel arm bracket
			
Size 2/3/4	<input type="checkbox"/> 664001xx	<input type="checkbox"/> 664002xx	<input type="checkbox"/> 660005xx

Order-Number

■ □ = Closer with arm, complete
△ = Accessory

Specification text

Rack-and-pinion door closer with selectable closing force, size EN 2, 3 and 4; adjustable closing speed in two independent ranges. Non-handed.

Model

- with standard arm
- with hold-open arm

Colour

- silver
- brown
- white (similar to RAL 9016)

Make

DORMA TS 68