

The OGRO logo is positioned in the top right corner of the page. It consists of the letters 'OGRO' in a bold, red, sans-serif font. The background of the entire page is a vertical split: the left side shows a blurred, close-up view of a mechanical component with a glowing red ring, while the right side is a plain, light gray background featuring a 3D rendered silver pull handle.

# PULL HANDLES AND IMPACT BARS

Premium design, versatility at your fingertips.

# DETAILED REFINEMENT FOR A HIGH-QUALITY AMBIENCE

Tailored solutions for narrow-stile, timber and allglass doors.

OGRO pull handles and impact bars epitomize our high quality standard. The elegant aesthetics, the fine burnishing and the high manufacturing quality of the Satino finish make them an important element in any interior design. In entrance areas, particularly, they exert a characteristic visual effect while at the same time ensuring consistency of appearance throughout the building.

The full portfolio comprises five product lines, each with its own stand-out character:

- TG Classic
- TG Vario
- Pull Handles with Bracket Fixing
- OGRO Impact Bars



Impressive quality features: Both the handles and the spacers feature beautifully crafted precision fits with clear contours at the surface and no dents, dips or creases at the ends thanks to the use of high-quality bending jigs.



# TG CLASSIC

Because, by definition, high quality is both durable and timeless

The TG Classic product series combines durable quality with timeless design. Conceived and developed for uncompromising use in the toughest project environments and for buildings of high traffic frequency – such as airports, railway stations, shopping malls, public authority buildings and schools. Individualized models can also be provided in line with customer requirements.

**The benefits at a glance:**

- High manufacturing quality
- Attractive surface finish matching all other OGRO fittings
- Short delivery times – within five working days
- Attractive price



TG 9304



TG 9306



TG 9313



TG 9316



TG 9356



TG 9359



TG 9317

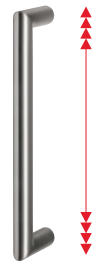
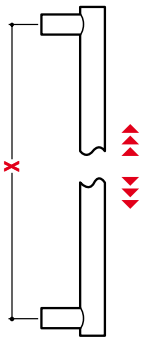


TG 9318

# TG VARIO

The ultimate in pull handle adaptability

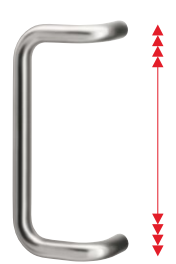
OGRO offers TG Vario pull handles of virtually any length, delivered on schedule within five (!) working days and manufactured precisely to the customer's specifications.



TG 9335



TG 9355



TG 9356



TG 9377



TG 9387

Yes, in just five working days, OGRO will deliver your Vario pull handles in any specified length, tailored and precision-manufactured for the project application in hand. This means no more cutting and joining on site and saves an enormous amount of time because the one-off manufacture of special lengths previously required several weeks. The TG Vario option is thus particularly suitable for contract and refurbishment projects.

**The benefits at a glance:**

- Variable, available in different lengths
- Supply of your precisionmade, customized pull handles to order in just five working days
- High-quality Satino finish for a consistent appearance throughout (optional)
- High load capacity hardware
- High level of corrosion resistance
- Compatible with all fixing methods

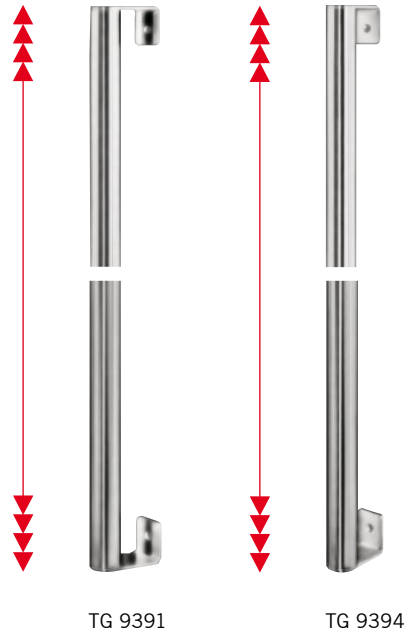


# PULL HANDLES WITH BRACKET FIXING

Pull handles with bracket fixing are suitable for use on both narrow-stile and widestile / timber doors. They offer a broad range of application possibilities e.g. on external façade doors, in hospitals and in public buildings.

### The benefits at a glance:

- High-quality Satino finish
- Precision-manufactured in accordance with your specifications within two days of the order
- Packed as a set including brackets and accessories
- All visible components of V2A stainless steel
- The handle/bracket connection is a high-quality die-cast assembly
- Product quality endurance tested with > 200,000 operating cycles
- Tube and fixing do not need to be spot-welded. Any dimensional variations can be quickly eradicated with minor tube adjustment
- Low flexure thanks to tubular design with increased wall thickness:  
Ø 34 mm = 2 mm  
Ø 40 mm = 3 mm



# IMPACT BARS

## Permanent protection for wall and door

Public and other heavily frequented buildings – such as hospitals or care homes – invariably have wall and door surfaces exposed to unintended collision contact which could easily become damaged. OGRO impact bars on doors in conjunction with a cushioned limit stay or a door stop provide very good protection here. As OGRO impact bars are designed to protrude less than conventional solutions, the distance between the open door leaves and the adjacent wall is kept conveniently small. This yields a larger through-passage width when the door leaves are opened, yet still provides excellent protection to the door leaf and wall. In the case of corridors in which – for example – hospital beds often have to be pushed through double doors, this increased clear width offers significant advantages. And all at an attractive price.



The surfaces of the impact bars are provided with a special burnished finish to protect them against impact loads and surface damage.



# PRODUCT OVERVIEW

## PULL HANDLES AND IMPACT BARS

TG 9115



TG 9116



TG 9117



TG 9830



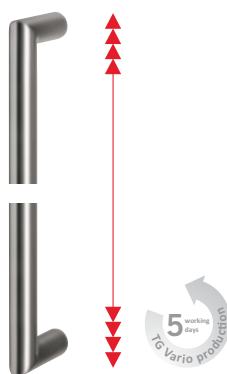
TG 9317



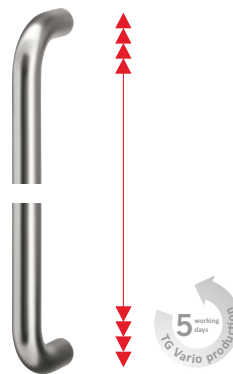
TG 9318



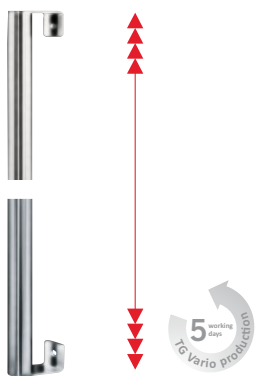
TG 9335



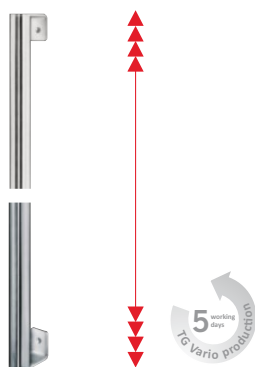
TG 9355



TG 9391



TG 9394



Impact bars





TG 9304



TG 9306



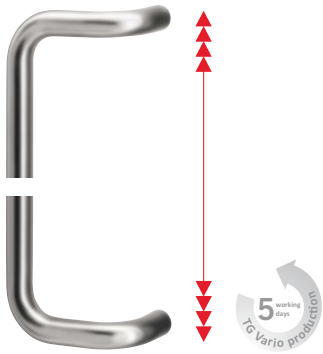
TG 9313



TG 9316



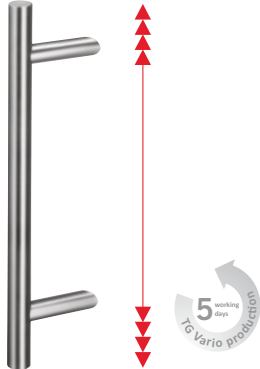
TG 9356



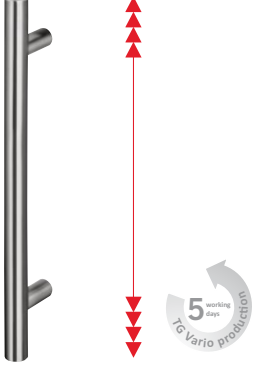
TG 9359



TG 9377

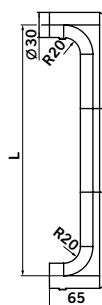


TG 9387



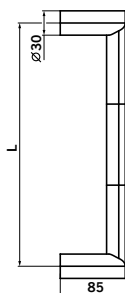
# PULL HANDLES AND IMPACT BARS

TG 9115



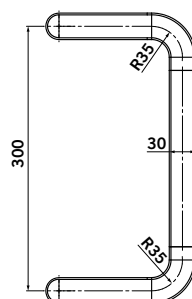
L mm    300    400    600

TG 9116



L mm    300    400    600

TG 9117

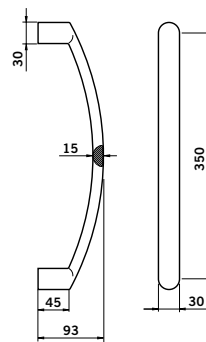


L mm    300

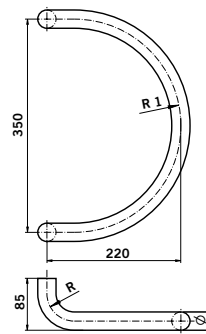
TG 9830



Design: Dieter Sieger

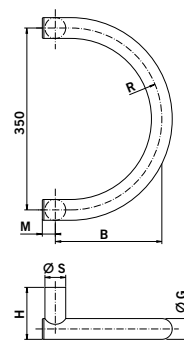


TG 9304



Ø mm	25	32	40
R mm	40	45	60
R1 mm	100	175	175
B mm	140	220	235
H mm	75	85	100
L mm	200	350	350

TG 9306

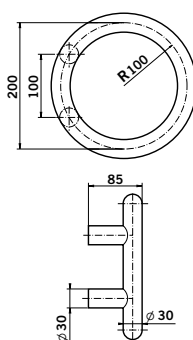


Ø G mm	30	40
Ø S mm	30	32/40
R mm	175	175
B mm	195	205
H mm	85	100
M mm	20	25

■ Stainless steel    ■ Braille (optional)

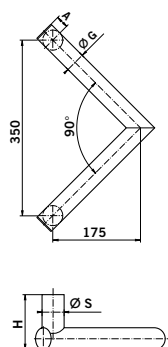
# PULL HANDLES AND IMPACT BARS

TG 9313



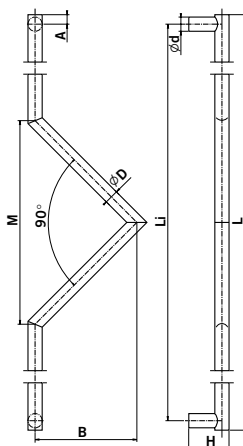
Ø mm	30
R mm	100

TG 9316



Ø G mm	32	40
Ø S mm	26	32
H mm	85	100
A mm	20	25

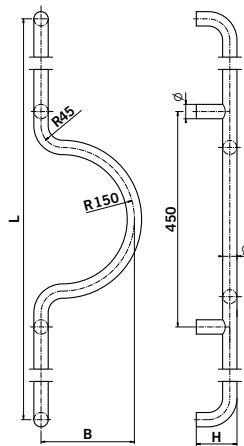
TG 9317



Ø D mm	32	40
Ø d mm	26	32
B mm	215	225
H mm	85	100
L mm up to	2200	2200
M mm	430	450
A mm	20	25

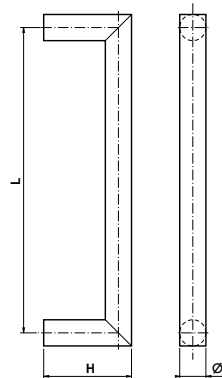
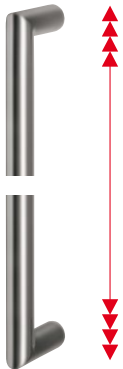
Additional support  
 from L = 1000 (for Ø D = 32 mm)  
 from L = 1200 (for Ø D = 40 mm)

TG 9318



Ø mm	30
B mm	195
H mm	85
L mm	700
up to	2000

TG 9335

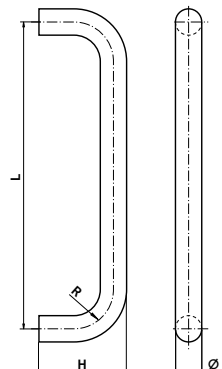
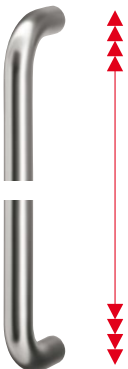


Ø mm	25	32	40
H mm	75	85	100
L mm	≥ 210	≥ 200	≥ 200
from L mm*	1000	1300	2600
from L mm*	1600	1800	2600

▪ Variable lengths available

Fixed length 350 mm  
\* = additional fixing point needed

TG 9355



Ø mm	20	25	32	40
R mm	30	40	45	60
H mm	65	75	85	100
L mm ≥	≥ 150	≥ 210	≥ 210	≥ 250
from L mm *	1600	1800	2000	2000

▪ Variable lengths available

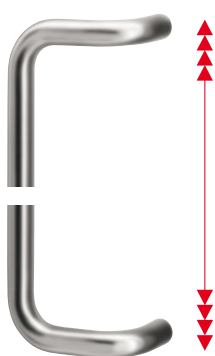
\* = additional fixing point needed

■ Stainless steel

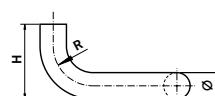
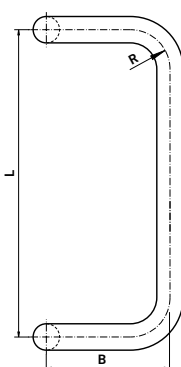
■ Braille (optional)

# PULL HANDLES AND IMPACT BARS

TG 9356

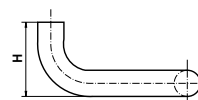
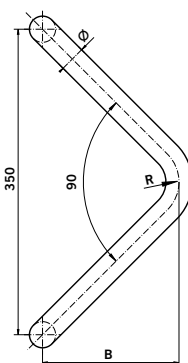


- Variable lengths available



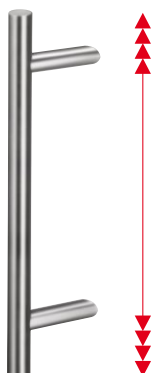
Ø mm	25	32	40
R mm	40	45	60
B mm	100	140	150
H mm	75	85	100
H mm	≥ 210	≥ 210	≥ 250

TG 9359

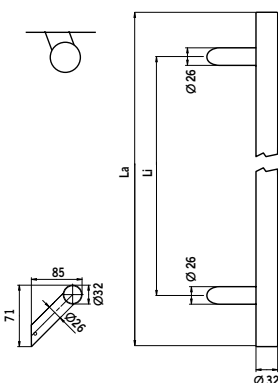
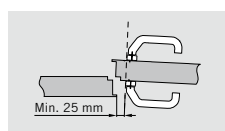


Ø mm	25	32*	40**
R mm	40	45	60
B mm	158	156	156
H mm	75	85	100

TG 9377

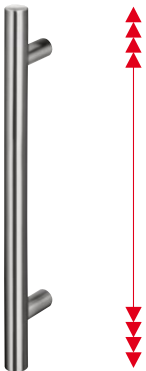


- Variable lengths available
- Angled spacers
- Satino finish

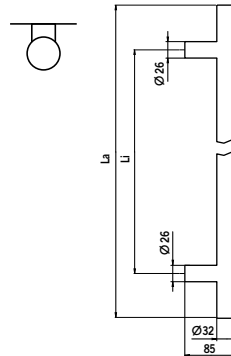


Ø G	Ø S
32 mm	26 mm

TG 9387

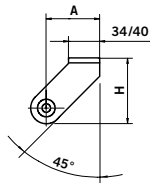
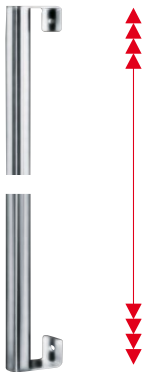


- Variable lengths available
- Straight spacers
- Satino finish

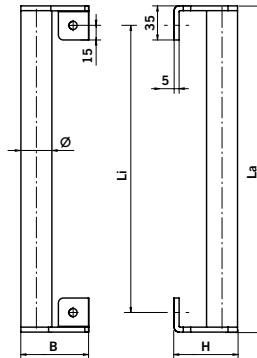


Ø G	Ø S
20 mm	18 mm
25 mm	18 mm
32 mm	26 mm
40 mm	32 mm

TG 9391



- Variable lengths available
- Bracket fixing
- Precision-manufactured
- Set incl. fixing (bracket)



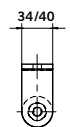
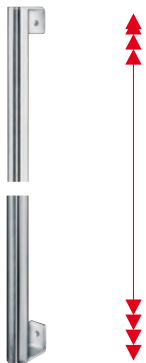
Ø D 34 mm

Model	H	A	B	Description
1.	70	40	74	Model without sensor
2.	85	55	89	Model with sensor

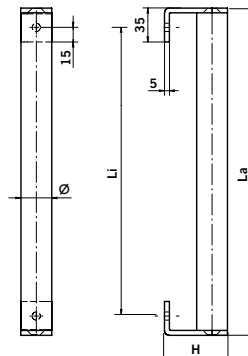
Ø D 40 mm x 3 mm

Model	H	A	B	Description
1.	80	46	86	Model without sensor
2.	90	56	96	Model with sensor

TG 9394



- Variable lengths available



Ø D 34 mm

Model	H	Description
1.	70	Model without sensor
2.	85	Model with sensor

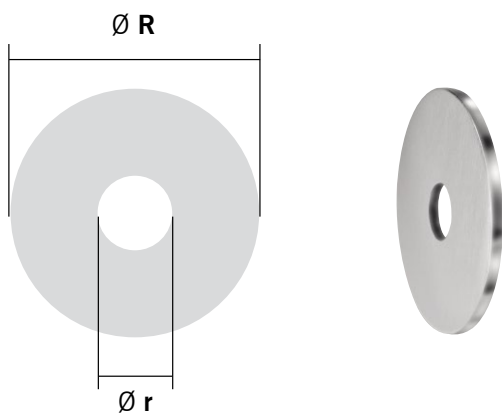
Ø D 40 mm x 3 mm

Model	H	Description
1.	80	Model without sensor
2.	90	Model with sensor

# MOUNTING ROSES

---

## MOUNTING ROSES



- Mounting roses for better distribution of forces
- Door surface protection
- Material thickness 2 or 8 mm
- For GZ 203 (Single-sided handle with screw-on cap opposite)
- For GZ 215 (Back-to-back handles)
- Mounting on VSG (laminated safety glass)

	<b>GZ 537</b>	<b>GZ 540</b>	<b>GZ 544</b>	<b>GZ 550</b>
Ø R mm	<b>37</b>	<b>40</b>	<b>44</b>	<b>50</b>
Ø r mm	<b>6,2</b>	<b>6,2</b>	<b>8,2</b>	<b>8,2</b>
Material thickness mm	<b>2/8</b>	<b>2/8</b>	<b>2/8</b>	<b>2/8</b>
For handle ø mm	<b>20</b>	<b>25</b>	<b>32</b>	<b>40</b>



# IMPACT BARS

---

## IMPACT BARS



For: hospitals, senior homes  
and care institutions

Use: For protection against  
damage and abrasion on walls  
and doors.

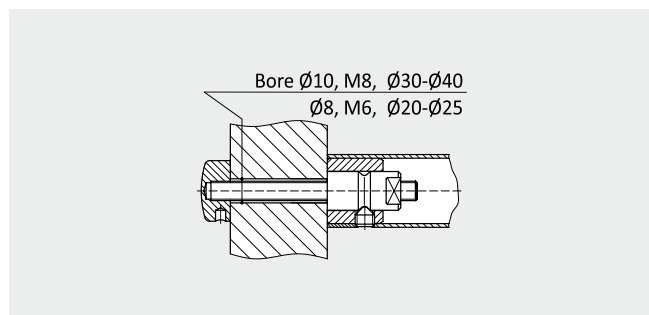
Ø Impact bar (mm)	<b>20</b>	<b>25</b>	<b>32</b>
Ø Supports (mm)	<b>18</b>	<b>18</b>	<b>26</b>
Height (mm)	<b>65</b>	<b>75</b>	<b>85</b>

---

# FIXING MATERIALS

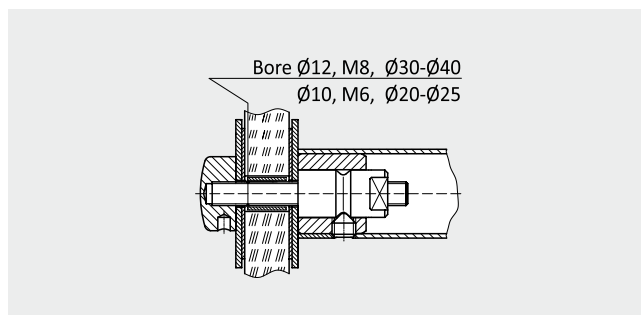
For pull handles with straight spacers

## GZ 202



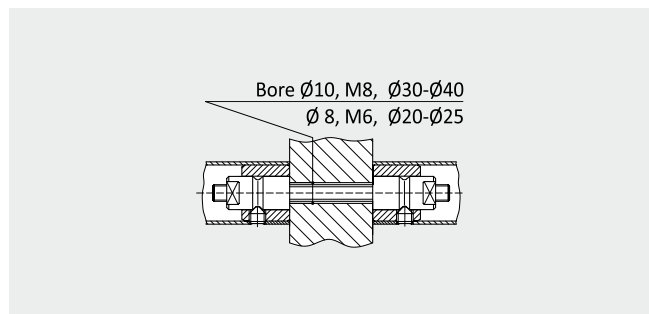
Fixing to narrow-stile and timber doors.  
One-sided, through-bolt fixing with screw-on cap opposite.

## GZ 203



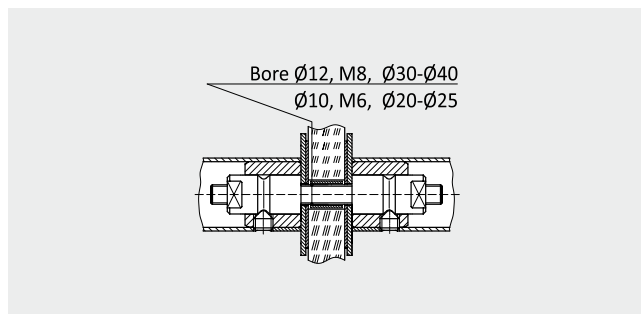
For fixing to all-glass doors.  
One-sided, through-bolt fixing with screw-on cap opposite.

## GZ 214



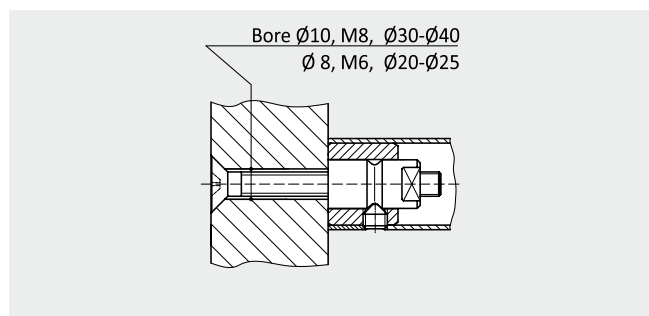
For fixing to narrow-stile and timber doors  
Back-to-back, concealed.

## GZ 215



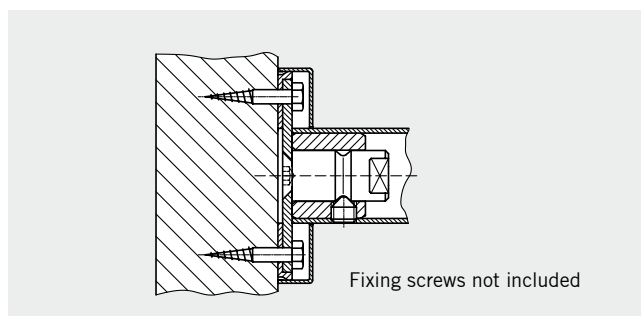
For fixing to all-glass doors.  
Back-to-back, concealed.

## GZ 216



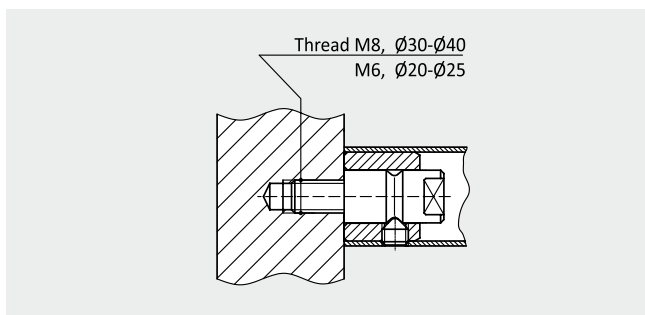
For fixing to narrow-stile and timber doors.  
One-sided, through-bolt fixing.

## GZ 224



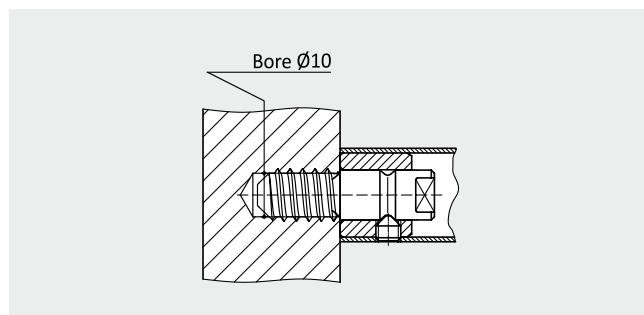
For fixing to narrow-stile and timber doors.  
One-sided, concealed, with clip-on rose.  
Only suitable for straight handles.

**GZ 234**



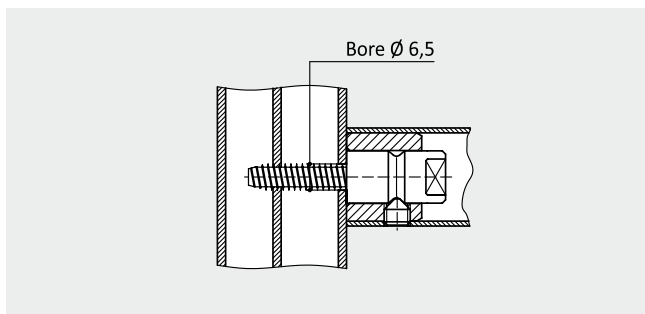
For fixing to narrow-stile and metal doors.  
One-sided, concealed, bolting depth 20 mm.

**GZ 274**



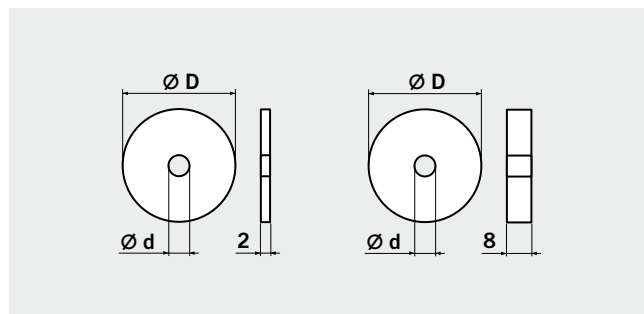
For fixing to timber doors.  
One-sided, concealed. Bolting depth 20 mm.

**GZ 284**



For fixing to narrow-stile and metal doors.  
One-sided, concealed.

**Mounting roses**



	$\varnothing D$	$\varnothing d$	Material thickness	For handle $\varnothing$
GZ 537	37	6,2	2/8	20
GZ 540	40	6,2	2/8	25
GZ 544	44	8,2	2/8	32
GZ 550	50	8,2	2/8	40

All dimensions in mm

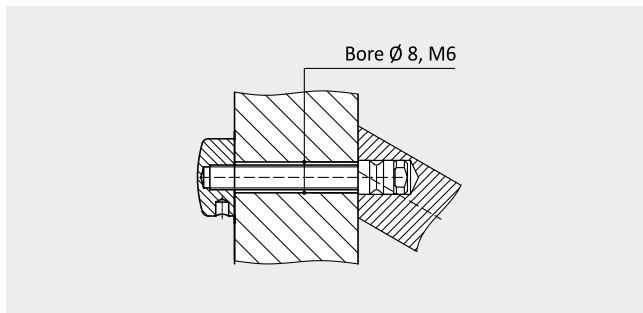
Fixing arrangements GZ202 to GZ284 are not suitable for pull handle TG 9377 with angled spacers.  
You will find the fixings appropriate for angled spacers overleaf.

Fixing arrangements GZ2xx and GZ3xx cannot be used with pull handles TG 9391 and TG 9394.  
The fixings for these two pull handles must be supplied by others.

# FIXING MATERIALS

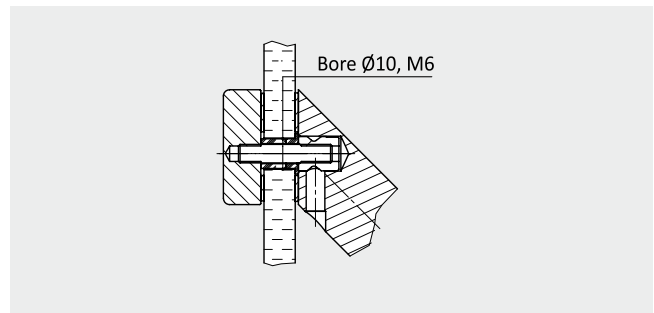
For pull handles with angled spacers (TG 9377)

## GZ 302



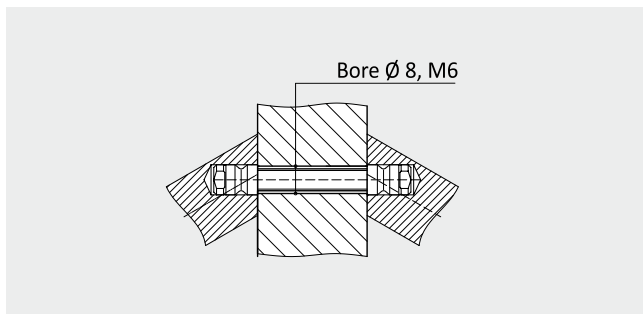
For fixing to narrow-stile and timber doors.  
Single-sided, through-bolt fixing with screw-on cap opposite.

## GZ 303



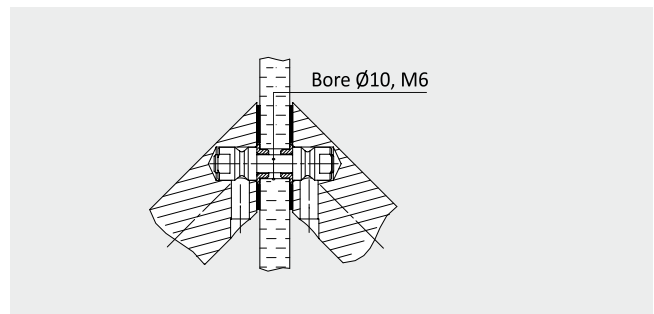
For fixing to all-glass doors.  
One-sided, through-bolt fixing with screw-on cap opposite.

## GZ 314



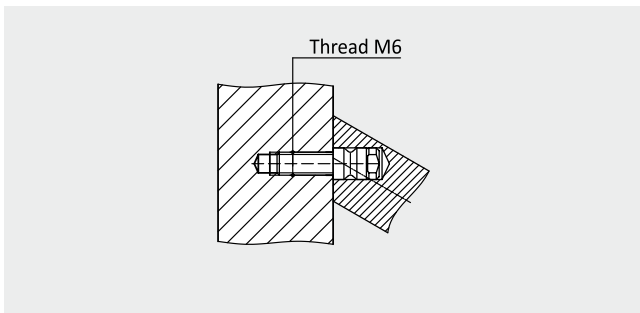
For fixing to narrow-stile and timber doors.  
Back-to-back, concealed.

## GZ 315



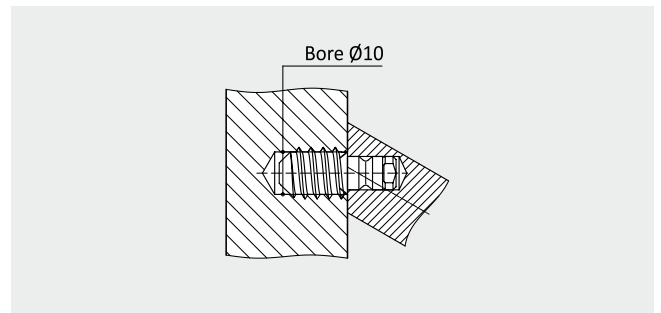
For fixing to all-glass doors.  
Back-to-back, concealed.

**GZ 334**



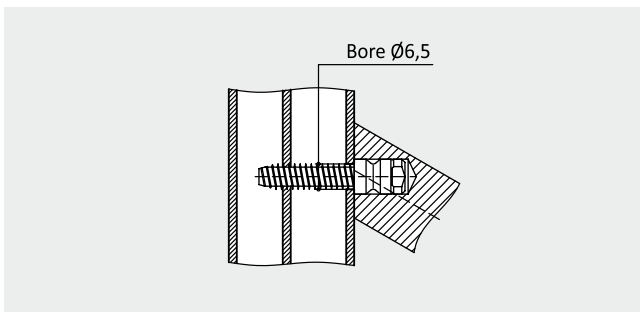
For fixing to narrow-stile and metal doors.  
One-sided, concealed. Bolting depth 20 mm.

**GZ 374**



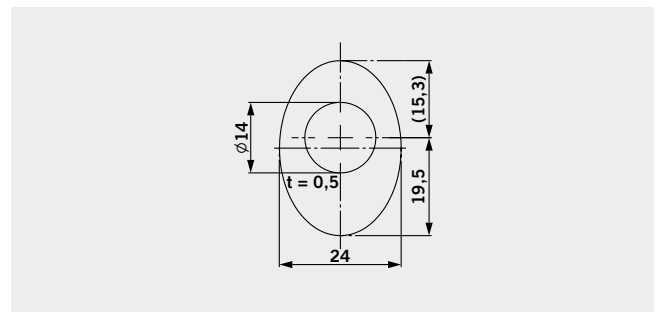
For fixing to timber doors.  
One-sided, concealed.

**GZ 384**



For fixing to narrow-stile and metal doors.  
One-sided, concealed.

**Spacer pad of EPDM**



Including shim.  
Spacer diameter: 26 mm

All the fixing arrangements GZ2xx and GZ3xx are unsuitable for pull handles TG 9391 and TG 9394.  
Fixing materials for these two pull handles must be supplied by others.

OGRO GmbH  
Donnenberger Straße 2  
42553 Velbert  
GERMANY  
Tel. +49 (0) 20 53 / 495-0  
Fax +49 (0) 20 53 / 495-100  
[www.ogro.de](http://www.ogro.de)